

'Automation That Keeps A Handle On System Protection And Control'



The Series 24 Serial Control Switch Relay (SCSR) with Certified DNP 3.00 expands the functionality of the field proven remotely operated Series 24 Breaker Control Switch.

An addressable network device, the SCSR provides Remote Trip Coil Monitoring, Sequence of Events (SOE) Reporting, System Battery Monitoring, and Self-Diagnostic Reporting, while maintaining traditional local control operability.

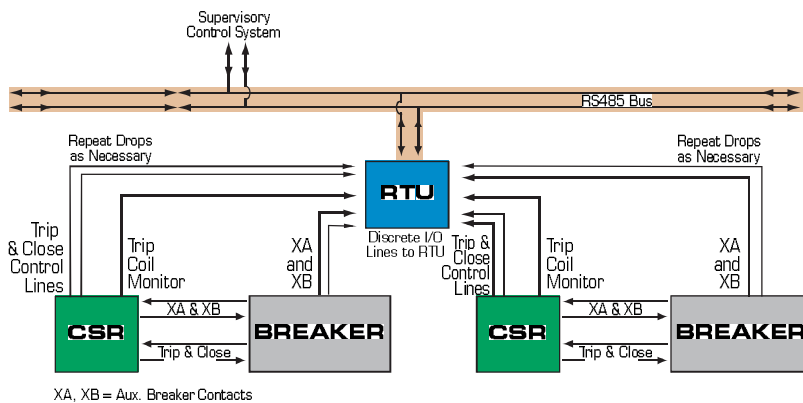
Additional Features

- Construction and Contacting Based on the Field Proven CSR Device
- Breaker Position via LED & Mechanical Target
- Breaker Trip Coil(s) Integrity LED
- Serial Bus X-mit/Rec LED
- Local/Remote Mode Control with LED Status Indication
- Manual Trip/Close Handle

Cost-Saving Benefits

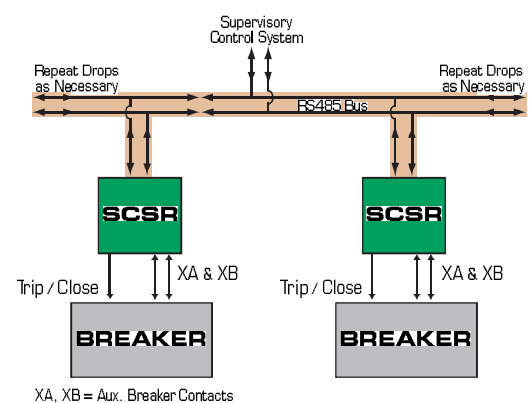
- Free up RTU Points
- Reduce Point to Point Wiring
- Simplify Testing for Easier Commissioning
- Minimize Training
- Eliminate Separate Devices
 - RTU
 - Interposing Relays for Breaker Control
 - Discrete Battery Monitors
 - Breaker Status Lamps
 - Local/Remote Control Switch

Traditional CSR Installation



vs

New Simplified SCSR Installation



The SCSR installation provides cost savings associated with wiring (wiring errors), testing, and commissioning.

Other Serial Control Devices From Electroswitch



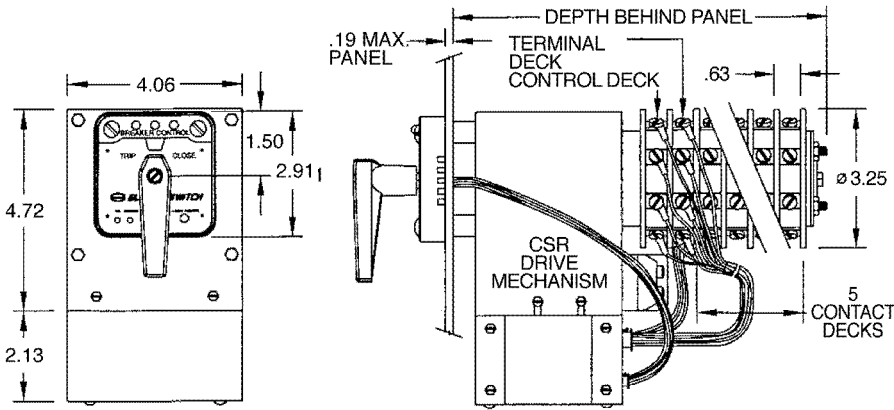
**Series 24
SLOR Serial
Lock-Out Relay**



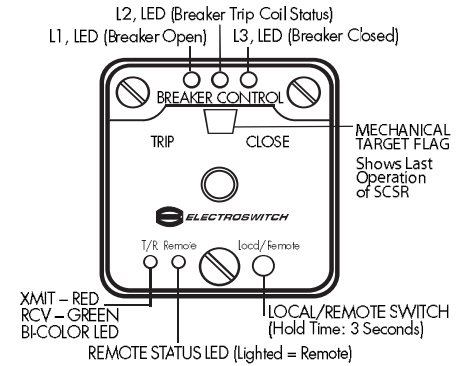
**Series 31
STR Serial
Tagging Relay**



**CIM
Serial Control
Indicator Module**



Nameplate - Typical Configuration



Specifications

Electrical

Continuous Ratings: 30A-600V
 UL Interrupt Ratings: 20A-120VAC, 15A-240VAC, 6A-600VAC, 3A-125VDC, 1A-250VDC
 Overload Current (50 Ops): 95A-120VAC, 65A-240VAC, 35A-600VAC
 Making Ability for CB Coils: 95A-125VDC
 Contact Resistance: .01 Ohms Maximum

Electronic

Baud Rate: 9600 Std, 1200, 4800, 19200 Selectable
 Transient Protection: Meets IEEE C37.90.1 and IEC 61000-4-4
 Signal Hold Time: 1 Sec. Standard, 1-3 Seconds Serially Selectable

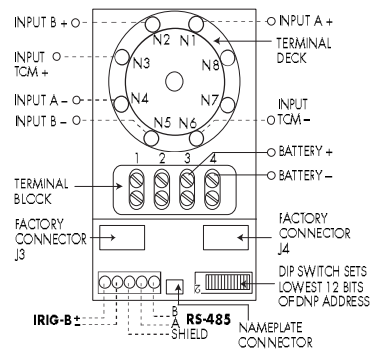
Mechanical

Sections: 1 to 6
 Poles: 1 to 12
 Contacts: Break-Before-Make (Non-Shorting); Make-Before-Break (Shorting) Standard and Slip Contacts Available
 Action: 45° Spring Return to Normal
 Mounting: Panel Mount, 3 Hole Mounting,
 Panel Thickness: 3/16" Max. Standard - Others Available
 Rotor Contacts: Silver Inlay Phosphor-bronze, Double-Wiping
 Stationary Contacts: Silver Plated, with Integral Screw Type Terminals
 Construction: Contacts Enclosed in Molded Phenolic Insulators

Operational and Burden Voltage Data

| Coil | Rated Voltage | Voltage Range | Coil Circuit DC Ohms @ 25°C | Burden (amps) at Rated Voltage |
|------|---------------|---------------|-----------------------------|--------------------------------|
| C | 48VDC | 41-56VDC | 4.83 | 9.9 |
| D | 125VDC | 106-140VDC | 18.96 | 6.6 |

Installation Connections (Rear View)



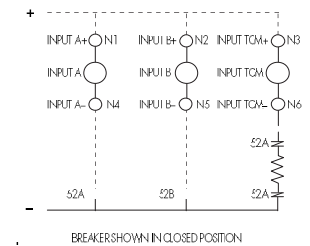
Contact Configuration

Flexible deck configuration offers multiple decks with two isolated contacts per deck; a total of twelve contacts each designed to handle full rated current.

NOTE: All features and configurations currently available on the CSR are available on the Serial Control SCSR.

Typical Breaker Input Connections

System Connections



Use of Inputs

Input A controls the L3 (right) LED and sets DNP object 1 point 4. In a typical application, it is used to monitor a 52A contact.

Input B controls the L1 (left) LED and sets DNP object 1 point 3. In a typical application, it is used to monitor a 52B contact.

Input TCM controls the L2 (center) LED and sets DNP object 1 point 5. In a typical application, it is used as a trip coil monitor.

The inputs are polarity sensitive. Reverse polarity causes no damage, but input will not be sensed.

Consult Technical Bulletin ES-SCSR-1 for further information on DNP usage, including system battery voltage measurement, time stamping of events, and sensing of switch position.

Required Ordering Information

- Protocol: DNP 3.00 Std.
- Baud Rate: 9600 Std.
- Handle: Pistol Grip Std.
- Voltage: 125VDC or 48VDC
- Engraving
- Turn to Latch Option
- Single or Dual Trip Coil Monitoring
- Contact Configuration
- L1, L2, L3 (Replaceable LED Colors - Amber, Red, Green, Blue, White)
- Trip/Close Hold Time - Range 1-3 sec.; Standard Setting 1 Sec.