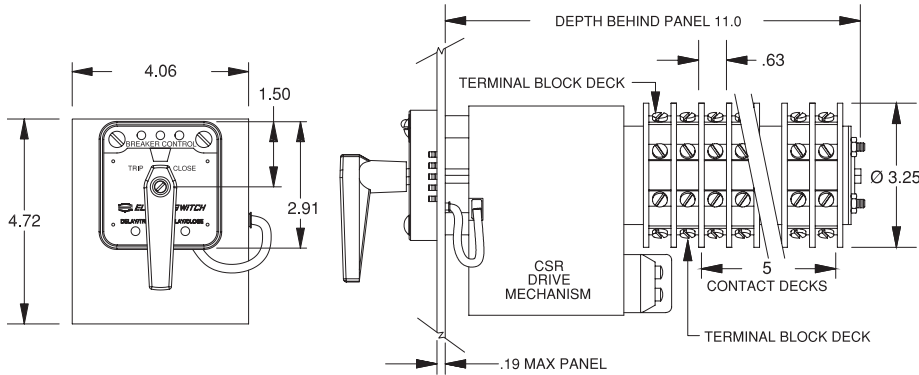
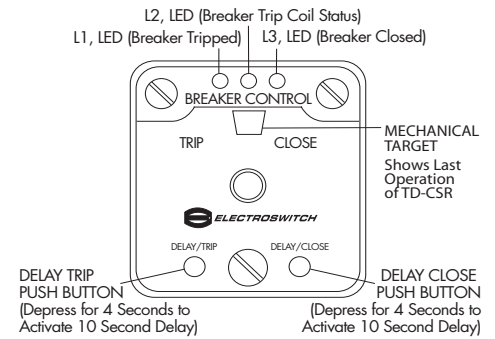




TD-CSR TIME DELAY CONTROL SWITCH RELAY



Nameplate (Standard Configuration)



Specifications

Electrical

Continuous Ratings: 30A—600V
 UL Interrupt Ratings: 20A—120VAC, 15A—240VAC, 6A—600VAC, 3A—125VDC, 1A—250VDC
 Overload Current (50 Ops): 95A—120VAC, 65A—240VAC, 35A—600VAC
 Making Ability for CB Coils: 95A—125VDC
 Contact Resistance: .01 Ohms Maximum

Electronic

Transient Protection: Meets ANSI/IEEE C37.90.1
 Operation Hold Time: 1 Sec. Standard

Mechanical

Contacts: Break-Before-Make (Non-Shorting); Make-Before-Break (Shorting); Standard and Slip Contacts Available
 Action: 45° Spring Return
 Mounting: Panel Mount
 Panel Thickness: 3/16" Max. Standard — Others Available
 Rotor Contacts: Silver Overlay Phosphor-bronze, Double-Wiping
 Stationary Contacts: Silver Inlay Plated, with Integral Screw Type Terminals
 Construction: Contacts Enclosed in Molded Phenolic Insulation



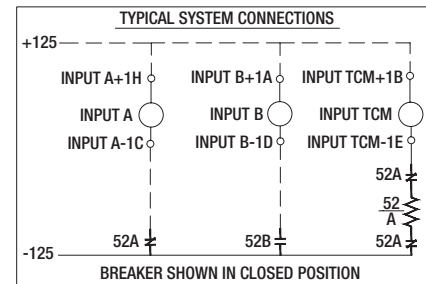
Operational and Burden Voltage Data

Coil	Rated Voltage	Voltage Range	Coil Circuit DC Ohms @ 25°C (+/- 10%)	Burden (Amps) @ Rated Voltage (+/- 10%)
A	24VDC	21-28VDC	1.2	20.5
C	48VDC	41-56VDC	4.9	9.9
D	125VDC	106-140VDC	19	6.6
D	120VAC	106-140VAC	19	6.6
F	240VAC	216-264VAC	81	3.2
F	250VDC	212-280VDC	81	3.2

Required Ordering Information

- Handle: Pistol Grip Std.
- Voltage: 125VDC or 48VDC
- Engraving
- Turn to Latch Option
- Single or Dual Trip Coil Monitoring
- Contact Configuration

Typical Breaker Input Connections



Use of Inputs

Input A controls the L3 (right) LED. In a typical application, it is used to monitor a 52A contact.

Input B controls the L1 (left) LED. In a typical application, it is used to monitor a 52B contact.

Input TCM controls the L2 (center) LED. In a typical application, it is used as a trip coil monitor.

The inputs are polarity sensitive. Reverse polarity causes no damage, but will not be sensed.

Contact Configuration

Flexible deck configuration offers multiple decks with two isolated contacts per deck; a total of twelve contacts each designed to handle full rated current.

NOTE: All features and configurations currently available on the CSR are available on the TD-CSR.

Consult factory for additional information.