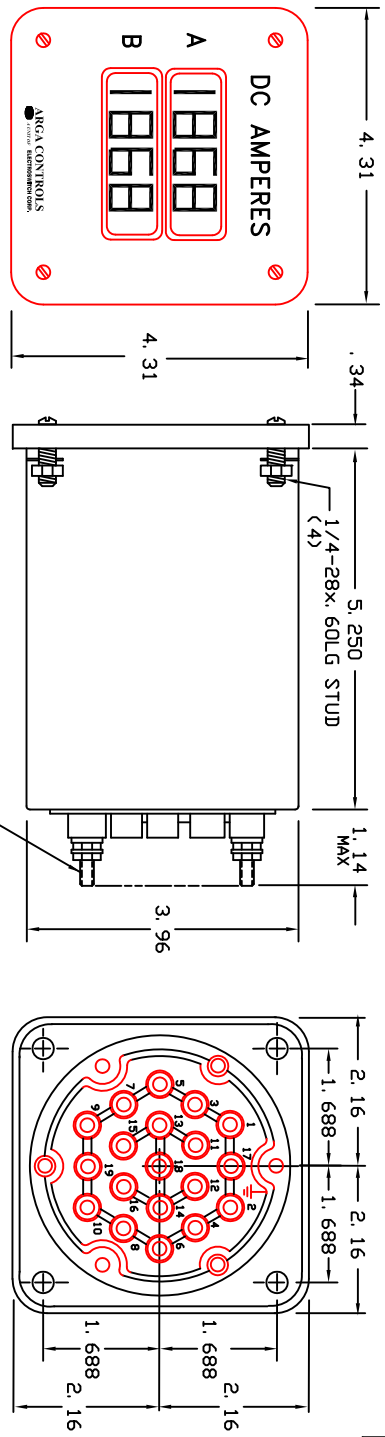
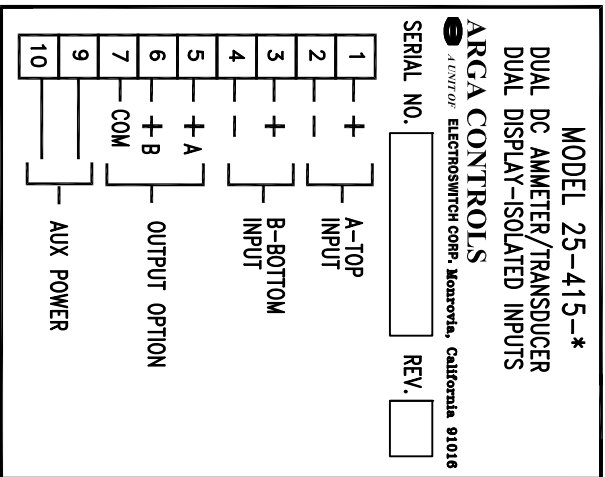
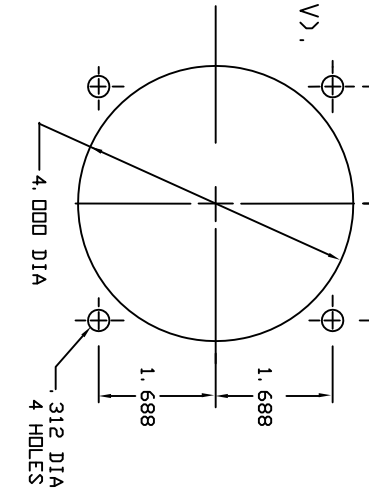


REVISIONS			
LTR	DESCRIPTION	DATE	APPROVED
A	UPDATE NEW ARGA CONTROLS LOGO	21 SEP 12/VVN/D. J.	



10-32 TERMINAL

PANEL CUTOUT



11. CONNECTIONS:

SPECIFICATIONS:

- INPUTS (2): 0 ± 50mVDC (OPTION: 0 ± USER SPECIFIED mV).
- INPUT BURDEN: 0.1mA MAX.
- INDICATION: 0 TO ±200/1999 (Adjustable)
- ACCURACY: ±0.2% ± 1 DIGIT
- DISPLAY: 0.6 INCH red LED digits.
- CALIBRATION/DECIMAL POINTS: REMOVE FRONT PANEL.
- AUXILIARY POWER: 120V ± 15%/125VDC ± 30%.
OPTION: 12, 24, 48, 250VAC/DC.
- ISOLATION: 1200VAC BETWEEN - INPUT A, INPUT B, AUX POWER, OUTPUT COMMON, CASE.
- OUTPUT (2) OPTIONS:
 - 25-415-101: 0 ± 1mADC INTO 0-10KΩ LOAD.
 - 25-415-1128: 12 ± 8mADC INTO 0-500Ω LOAD, FDR 0-50mV INPUT.
 - 25-415-1420: 4-20mADC INTO 0-500Ω LOAD.
 - 25-415-J3.0: RS485 OUTPUT WITH DNP3. 0 AND MODBUS PROTOCOLS.
- PART NO:
 - 25-415-(OUTPUT OPTION)-(AUX PWR option)-(mV option)

(NOTE- OMIT UNUSED OPTIONS. ie: 25-415-150mV)

ARGA CONTROLS
A UNIT OF ELECTROSWITCH CORP. Monrovia, California 91016

DIGITAL DUAL DC AMMETER/TRANSDUCER
DUAL DISPLAY - ISOLATED INPUTS

SIZE	FSCM NO.	DWG NO.	REV.
A	50290	25-415-*	A

DATE: 21 JAN 2009 (VVN/H.G.) SHEET 1 OF 1