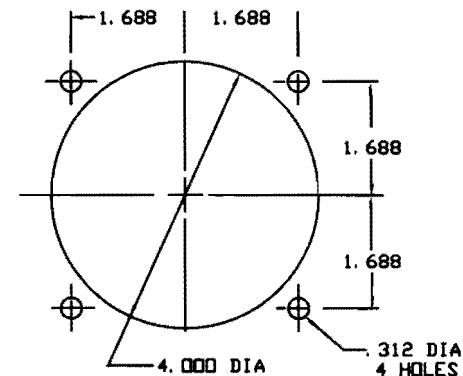
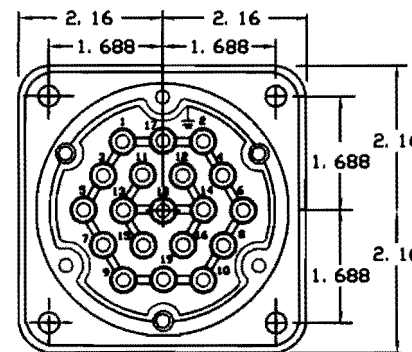
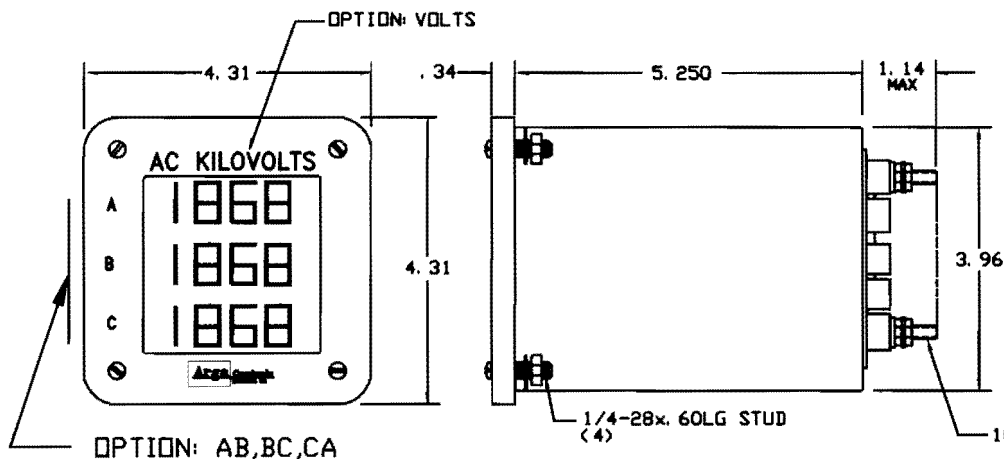


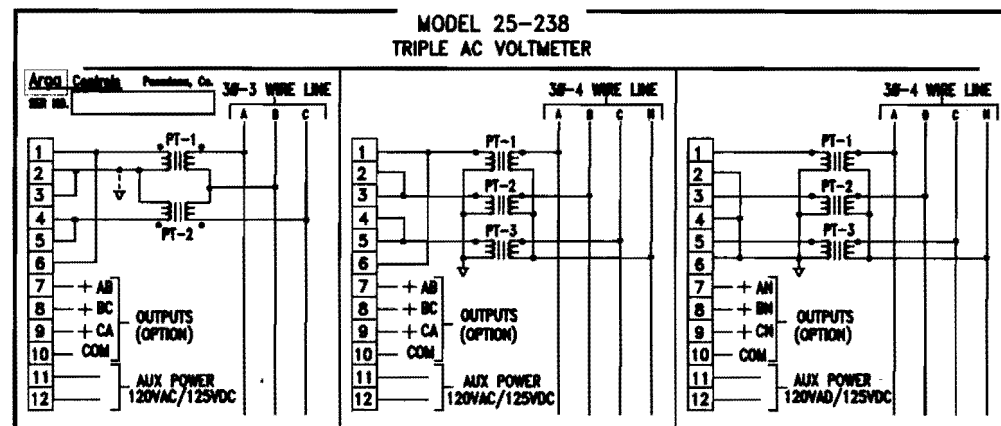
REVISIONS			
REV	DESCRIPTION	DATE	APPROVED
A	REVISED: IS FROM 0 TO 1000, WAS FROM 0 TO 2000	27 NOV 95	LJF/H.G.
B	COMPUTERIZED	15 SEP 98	WN/H.G.



PANEL CUTOUT

SPECIFICATIONS:

- INPUT:** 0 to 150V (3 Each), (200V continuous overload).
- OUTPUTS:** 0 to 1mADC (3 Each) into 0 to 10K.
- FREQUENCY:** 45-65Hz.
- BURDEN:** 1. VA (Each input).
- AUXILIARY POWER:** 120V ±10% @ 45-65Hz, or 125VDC ± 10%, 5VA.
- INDICATION:** Front Adjustable from 0 to 1000 to 0 to 9999, plus decimal points.
- DISPLAY:** .6" LED, 4 digits, 7-BAR with decimal points.
- ACCURACY:** ± 0.2% of range ±1LSD.
- OPTIONS:**
 - 25-238B has no outputs. terminal 7 to 10 omitted.
 - 25-238-1420 has 4 to 20mADC outputs into 0 to 500 OHMS.
 - 25-238-12 has 12VDC/AC ±20% aux power, 5VA.
 - 25-238-24 has 24VDC/AC ±20% aux power, 5VA.
 - 25-238-48 has 48VDC/AC ±20% aux power, 5VA.
 - 25-238-250 has 250VDC/AC ±20% aux power, 5VA.



Arga Controls

Pasadena, California 91105

**TRIPLE AC VOLTMETER/TRANSDUCER
TRIPLE DISPLAY - RMS SENSING**

SIZE	FSCM NO.	DWG NO.	
A	50290	25-238	
DATE: 12 MAR 94 HG		SHEET 1 OF 1	