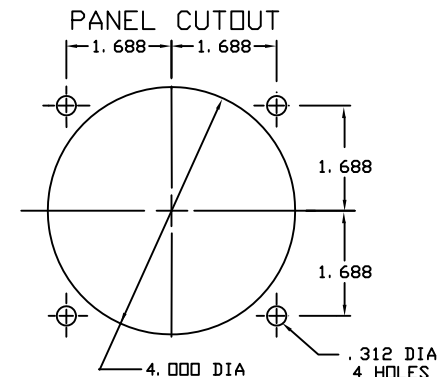
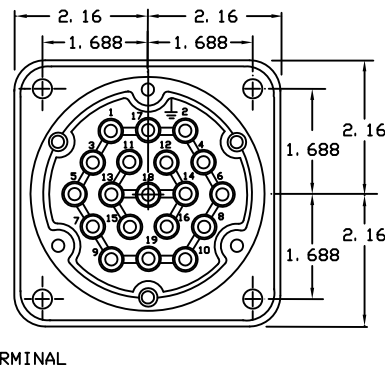
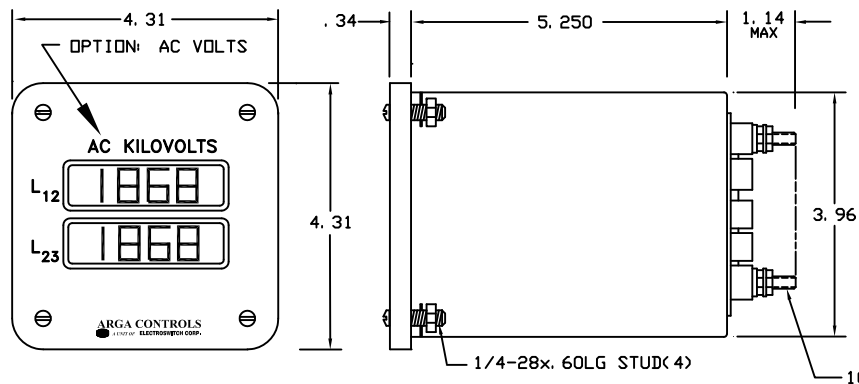


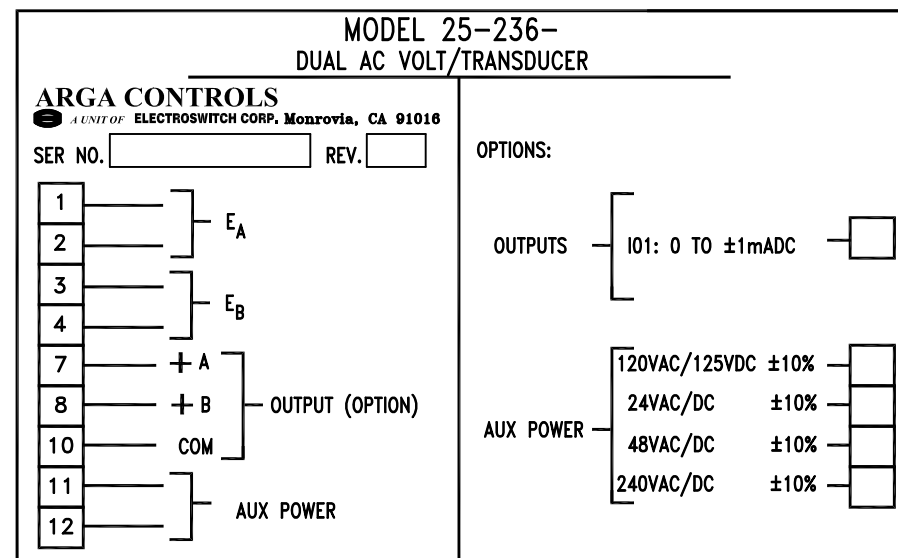
REVISIONS			
LTR	DESCRIPTIONS	DATE	APPROVED
A	MANUAL DRAWING	7 JAN 93	H. G.
B	COMPUTERIZED	04 DEC 12	VVN/DJ



**SPECIFICATIONS:**

- INPUTS:** 0 TO 150V ( 2 EA)  
0 TO 150V (180V CONTINUOUS OVERLOAD), 0.5VA.
- FREQUENCY:** 60 ± 5Hz.
- BURDEN:** 1 VA (EACH INPUT)
- INDICATION:** 0 TO 200/1999 (ADJUSTABLE).
- DISPLAY:** .6" LED, 3-1/2 DIGITS, 7-BAR WITH DECIMAL POINTS.
- ACCURACY:** ± 20% OF FULL RANGE.
- ACALIBRATION/DECIMAL/POINTS:** REMOVE FRONT PANEL.
- OUTPUT OPTION:**
  - 25-236-I01 0 TO ± 1mADC (2EA) INTO 0 TO 10K.
- AUX POWER OPTIONS:**
  - 25-236: HAS 120VAC/125VDC ±10% POWER.
  - 25-237-24: HAS 24VAC/VDC " "
  - 25-236-48: HAS 48VAC/DC " "
  - 25-237-240: HAS 240VAC/DC " "

**9. CONNECTIONS:**



DO NOT SCALE THIS DRAWING UNLESS OTHERWISE SPECIFIED DIMENSIONS ARE IN INCHES TOLERANCES		<b>ARGA CONTROLS</b> A UNIT OF ELECTROSWITCH CORP. Monrovia, California 91016	
.X .XX .XXX ANGLES ±.01 ±.03 ±.010 ± 30'		<b>DUAL AC VOLTMETER/TRANSDUCER DUAL DISPLAY-RMS SENSING</b>	
DRAWN H.G.	DATE 7 JAN 93	SIZE A	FSCM NO. 50290
APPROVED H.G.	DATE 7 JAN 93	DWG NO. 25-236-*	REV. B
SCALE: FULL		SHEET 1 OF 1	