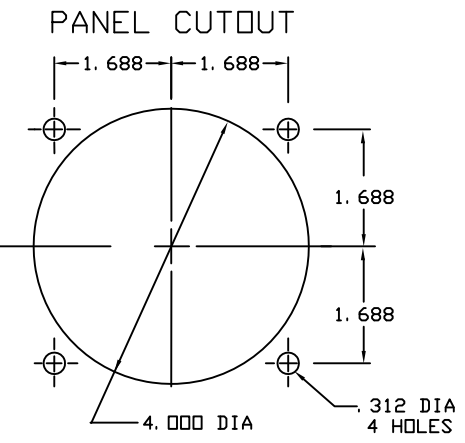
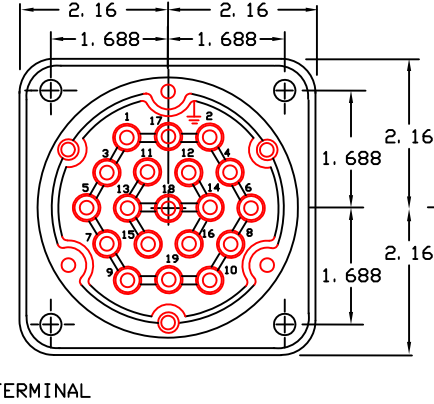
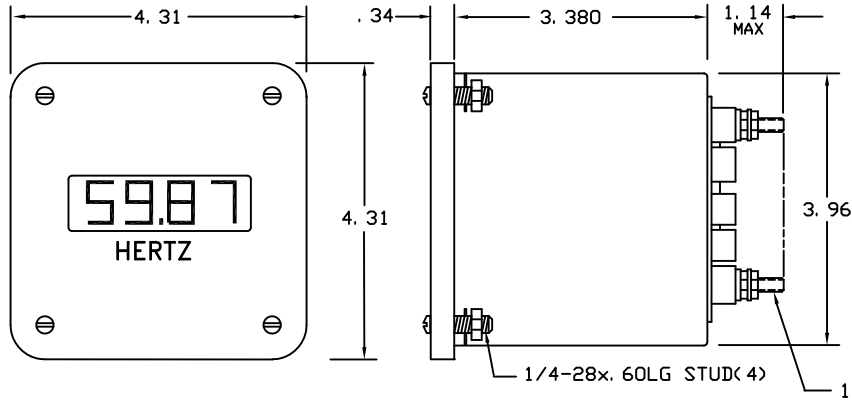


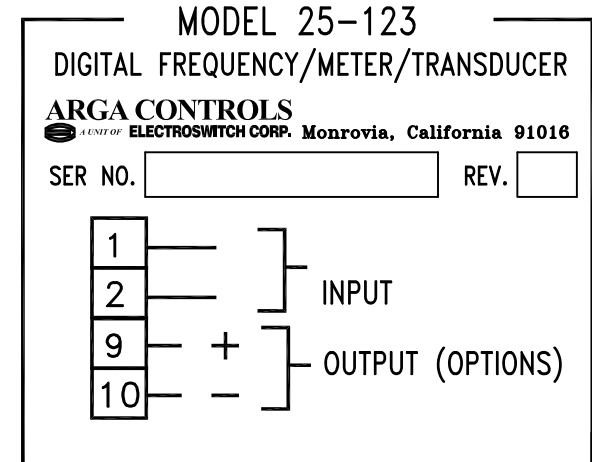
REVISIONS		
LTR	DESCRIPTION	DATE
E	UPDATE NEW ARGACONTROLS LOGO ECN 073	21 DEC 12
		APPROVED VVN/D. J.



SPECIFICATIONS:

1. RANGE: 45.00 TO 99.99Hz.
2. INPUT: 95 TO 135VAC, 3VA.
3. INDICATIONS: 4 DIGITS & DECIMAL POINT.
4. ACCURACY: ±.01Hz.
5. OUTPUT OPTIONS:
 - 25-123-I01: 0 TO 1mADC INTO 0 TO 10K FOR 54 TO 62Hz, 3VA, ACCURACY ±.02Hz.
 - 25-123-I420: 4 TO 20mADC INTO 0 TO 500 ΩHMS FOR 54 TO 62Hz, 4VA, ACCURACY ±.02Hz.
 - 25-123A-I01: 0 TO 1mADC INTO 0 TO 10K FOR 55 TO 65Hz, 3VA, ACCURACY ±.03Hz.
 - 25-123A-I420: 4 TO 20mADC INTO 0 TO 500 ΩHMS FOR 55 TO 65Hz, 4VA, ACCURACY ±.03Hz.
 - 25-123-J3.0: RS485 WITH DNP3.0/ MODBUS PROTOCOL (0 TO 2000).

7. CONNECTIONS:



ARGA CONTROLS
A UNIT OF ELECTROSWITCH CORP. Monrovia, California 91016

**DIGITAL FREQUENCY
METER/ TRANSDUCER**

SIZE A	FSCM NO. 50290	DWG NO. 25-123-*	REV E
-----------	-------------------	---------------------	----------

DATE: 6 APRIL 88 HG SHEET 1 OF 1