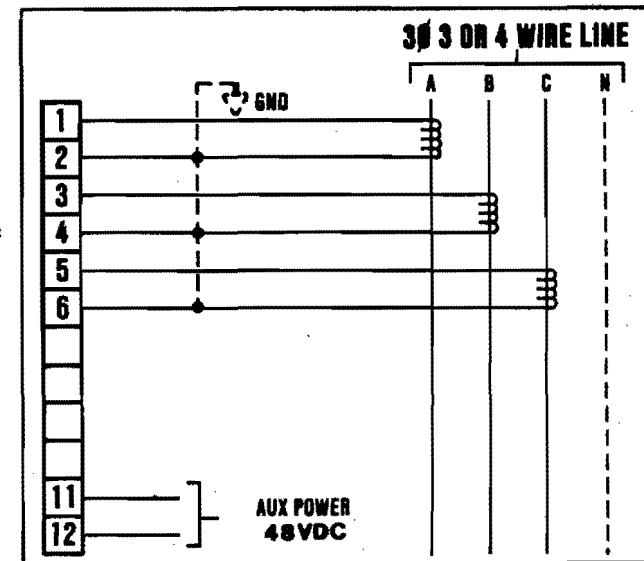


SPECIFICATIONS

1. **INPUTS:** 0 to 5A (3 each), 10A continuous overload, 50A for 1 second.
2. **FREQUENCY:** 60 ±5Hz.
3. **BURDEN:** .5VA (each input).
4. **AUXILIARY POWER:** 48VDC ±20%, 5VA.
5. **INDICATION:** Front adjustable from 0 to 2000 to 0 to 19999, plus LED for line being indicated and scan select.
6. **DISPLAY:** .6" LED, 4-1/2 digits, 7-bar with decimal points.
7. **ACCURACY:** ±.2% of range ±1 digit.



Arga Controls

Pasadena, California 91105

TRIPLE AC AMMETER/TRANSDUCER
 SINGLE DISPLAY - RMS SENSING
 4 1/2 DIGITS

REVISIONS				
ZONE	LTR	DESCRIPTION	DATE	APPROVED

SIZE	MFG. CODE IDENT. NO.	25-073A-B-48
A	50290	
SCALE	SHEET 1 of 1	